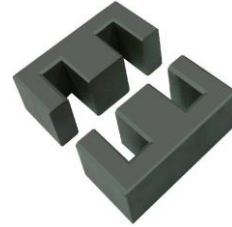


Appearance & Shape: To be free from any defect such as flow, burrs, unevenness etc, As per IEC standards.

Effective Parameters irrespective of material grade (per set)

- Effective Length (L_e): 74.3mm
- Effective Area (A_e): 83.0mm²
- Effective Area (A_{Min}): 81.7mm²
- Effective Volume (V_e): 6167mm³

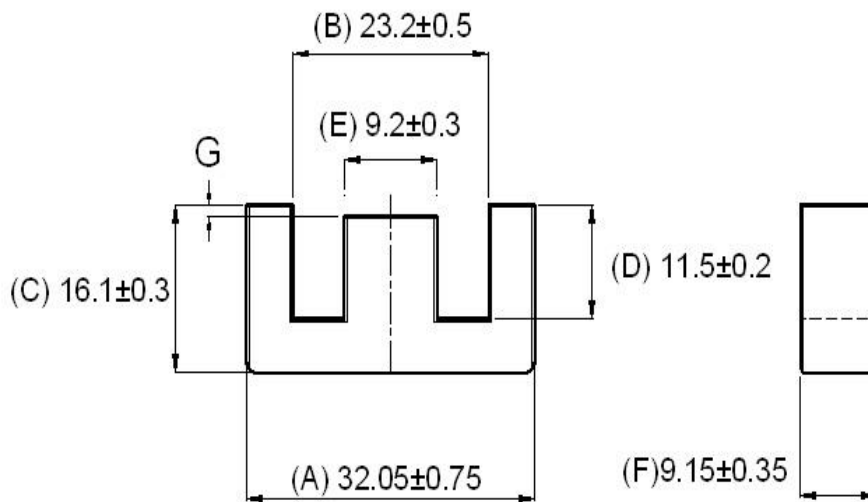
Approximate weight (without Gap): 32.0g/Set



EE3209 Un-gapped (OL)

Test Conditions: 1kHz/1mT/CFR COIL,N=100/25°C

Material Grade	Initial Permeability (μ_{iac})	AL Value (nH)/Set	P_v (W/set)	Ordering code
CF196	2000 \pm 20%	2500 +30%/-20%	$\leq 0.85(200mT,16kHz,100^\circ C)$	CF196 EE3209 OL
CF139	2100 \pm 20%	2600 +30%/-20%	$\leq 0.62(100mT,100kHz,100^\circ C)$	CF139 EE3209 OL
CF297	2300 \pm 20%	2800 +30%/-20%	$\leq 0.55(100mT,100kHz,100^\circ C)$	CF297 EE3209 OL
CF130	3000 \pm 20%	3500 +30%/-20%	$\leq 0.92(200mT,16kHz,100^\circ C)$	CF130 EE3209 OL
CF195	5000 \pm 20%	5250 +30%/-20%	-	CF195 EE3209 OL



Remarks: Value of "G" is Zero (0) for Un-Gapped Cores, for Gapped Cores the value of "G" varies as per the Gap/AL value

For general terms and conditions please visit: http://www.cosmoferrites.com/Downloads/Downloads/bcb70e7c-ae33-40ec-a881-0d5120db57b6_GTC.pdf

Regd. Office & Works: Jabli, Distt. Solan, Himachal Pradesh – 173 209 (India)

Tel: +91 1792 277231/32/36, Fax: +91 1792 277234

E-mail: sales@cosmoferrites.com